

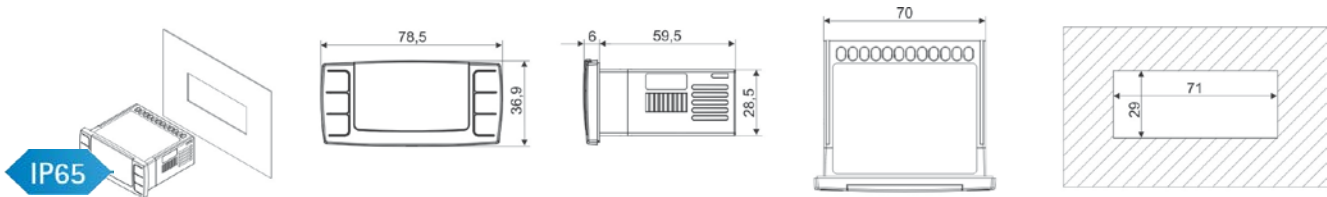
	IC205D		IC206CX	IC207D		IC208CX	ICX207D
Display	double	not present	double	double	not present	double	not present
Supply	12 or 24 Vac/dc	12 or 24 Vac/dc	12 or 24 Vac/dc	12 or 24 Vac/dc	12 or 24 Vac/dc	12 or 24 Vac/dc	12 or 24 Vac/dc
Configurable probes inputs	5xNTC/PTC /DI and 3xNTC/PTC /DI/4÷20mA /0÷10V	5xNTC/PTC /DI and 3xNTC/PTC /DI/4÷20mA /0÷10V	4xNTC/PTC /DI and 2xNTC/PTC /DI/4÷20mA/ 0÷10V	5xNTC/PTC /DI and 3xNTC/PTC /DI/4÷20mA /0÷10V	5xNTC/PTC /DI and 3xNTC/PTC /DI/4÷20mA/ 0÷10V	4xNTC/PTC /DI and 2xNTC/PTC /DI/4÷20mA /0÷10V	5xNTC/PTC /DI and 3xNTC/PTC /DI/4÷20mA/ 0÷10V
Configurable digital inputs	9 free voltage	9 free voltage	11 free voltage	9 free voltage	9 free voltage	11 free voltage	9 free voltage
Configurable relay outputs	5x5A	5x5A	6x5A	7x5A	7x5A	8x5A	7x5A
Configurable analog outputs	2xPWM/ DO/4÷20mA /0÷10V and 1xDO/0÷10 V	2xPWM/ DO/4÷20mA /0÷10V and 1xDO/0÷10 V	2xPWM/ DO/0÷10V and 2xDO/0÷10 V	2xPWM/ DO/4÷20mA /0÷10V and 1xDO/0÷10 V	2xPWM/ DO/4÷20mA /0÷10V and 1xDO/0÷10 V	2xPWM/ DO/0÷10V and 2xDO/0÷10 V	2xPWM/ DO/4÷20mA /0÷10V and 1xDO/0÷10 V
Other outputs	RS485 LAN TTL Remote disp*	RS485 LAN TTL Remote disp*	LAN TTL Remote disp*	RS485 LAN TTL Remote disp*	RS485 LAN TTL Remote disp	LAN TTL Remote disp*	LAN TTL
Other	Buzzer RTC (opt)	Buzzer RTC (opt)	Buzzer RTC (opt)	Buzzer RTC (opt)	Buzzer RTC (opt)	Buzzer RTC (opt)	
Certifications	CE, UL**	CE, UL**	CE, UL	CE, UL**	CE, UL**	CE, UL	CE, UL**

*: up to 2 keyboards VICX620 (for IC200CX) and VI622 (for IC200D) or 1 keyboard V21820 (for IC200CX and IC200D)

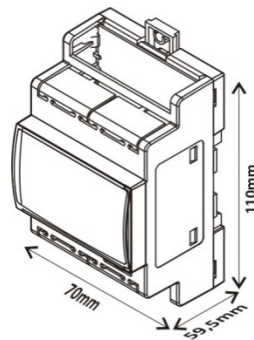
** : not for models with 12Vac/cd supply

4.1 DIMENSIONS and CUT-OUT

4.1.1 CX FORMAT

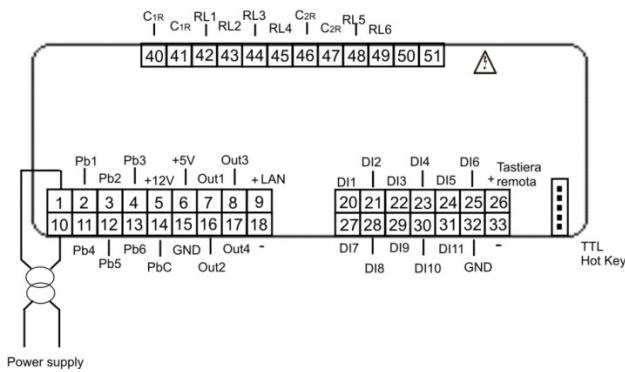


4.1.2 D FORMAT

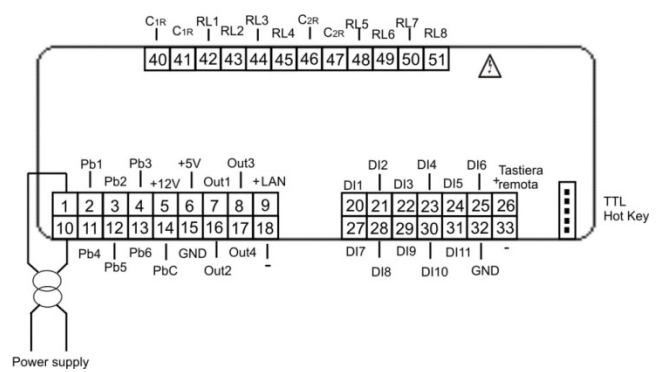


4.2 WIRING DIAGRAMS

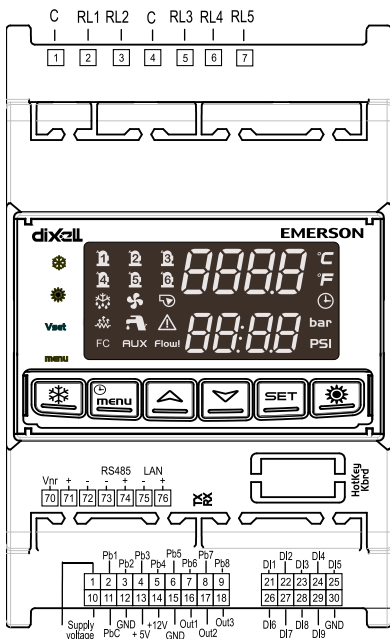
IC206CX



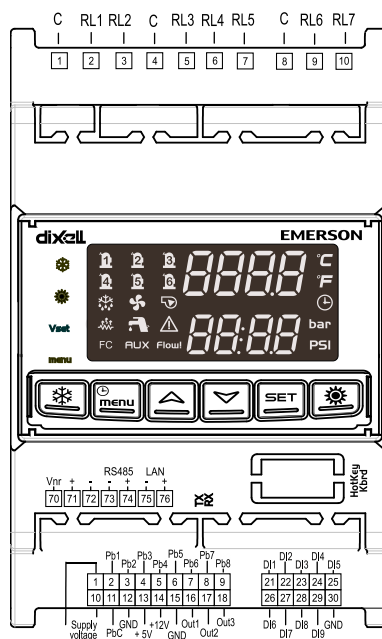
IC208CX



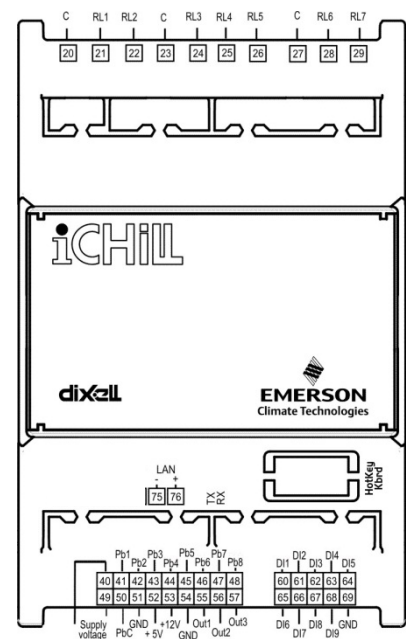
IC205D



IC207D



ICX207D



4.3 ACCESSORIES

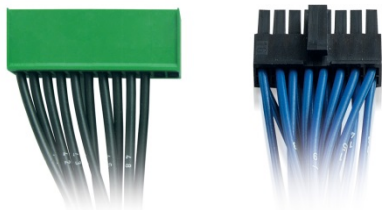


V21820: LCD graphic keyboard (Visograph 2.0) available for panel or wall mounting, in white or black color and, upon request, with temperature probe on board



VI622 & VICX620: vertical LED keyboards available. Temperature probe on board available upon request.

VI622 for controllers IC205D e IC207D
VICX620 for controllers IC206CX e IC208CX



CWCXA15-KIT: wiring for IC206CX - 1,5m

CWCXA30-KIT: wiring for IC206CX - 3m

CWCXB15-KIT: wiring for IC208CX - 1,5m

CWCXB30-KIT: wiring for IC208CX - 3m

DWDE15-KIT: wiring for IC205D and IC207D - 1,5m

DWDE30-KIT: wiring for IC205D and IC207D - 3m

DWDEX15-KIT: wiring for ICX207D - 1,5m

DWDEX30-KIT: wiring for ICX207D - 3m



XV05PK & XV05D: modules for chopped fan speed control, single-phase, power 500W, 2A

XV10PK: modules for chopped fan speed control, single-phase, power 1000W, 4A

XV22PK: modules for chopped fan speed control, single-phase, power 2200W, 9,5A



XV300K: regulators family for fans speed control, three-phase, available in different models 8A and 60A



HOT-KEY128: key for parameter programming



WIZMATE PROG-TOOL-KIT: tool that allows the modification of the device's parameters in a simple and fast way by using **WIZMATE** software.

- reading and writing of controller's parameters
- maps saving for storage
- maps exportation in excel file format
- comparison between two or more maps



XJ485USB-KIT: The USB to RS485 serial converter (2 wires) is the perfect choice to interface any computer, equipped with WIZMATE software and a USB port, to a network of instruments.



TF10: transformer with 10VA power available in 230/12Vac, 110/12Vac and 24/12Vac versions

TF10D: transformer in 2 DIN Rail format with 10VA power available in 230/24Vac and 110/24Vac versions



RT314-KIT: relay expansion module (12A/250Vac) for DIN support (in case it is necessary, the controller's analog outputs may be used for the management an external relay)



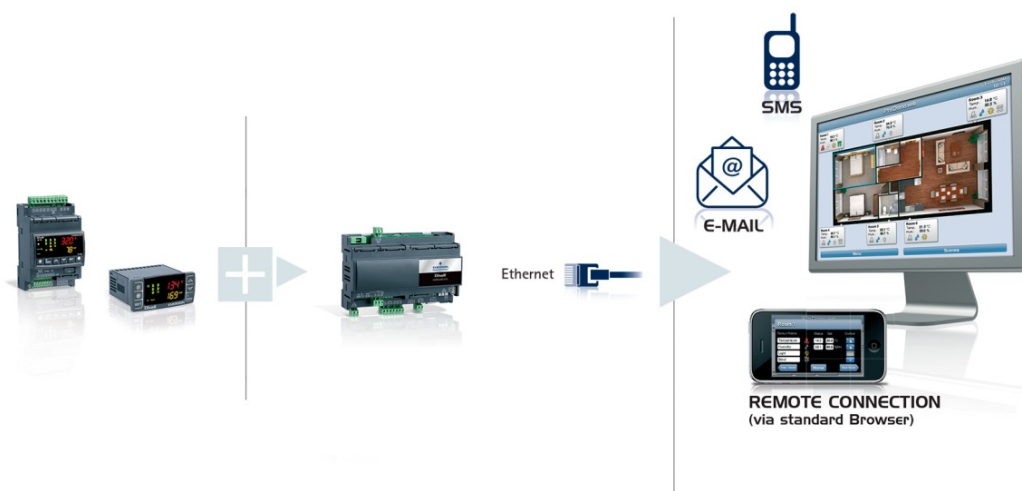
Probes: a complete series of probes and transducers available on Dixell catalogue guarantees the final user, for any situation, the right level of precision and the most appropriate answer time for the situation



IC200 EVO NEW - SIMULATOR KIT: simulator of inputs and outputs is suitable to test the applications developed for the IC200 EVO controllers. The simulator has a 230Vac power supply and includes dedicated wirings for both CX and DIN formats

4.4 SUPERVISING

XWEB EVO is Dixell's control and supervising systems family that guarantees the possibility of remotely monitoring IC200 EVO functioning, and therefore of the controlled machine. There are many available functions, for example the possibility of reading temperature and pressure status, controlled loads status, the diagnostic trough sms or email, and much more.



5 HOW TO ORDER

5.1 CONTROLLERS AND EXPANSIONS

IC20_CX - **A1C**00

IC20_D - **ABC**00

ICX207D - **A**0000

A		B		C	
Supply		Display		Clock	
1	12Vac/dc	0	No	0	No
2	24Vac/dc	1	Yes	1	Yes

5.2 LED KEYBOARDS

VICX620 - **AB**000

VI622 - **AB**000

A		B	
Probe		Buzzer	
0	No	0	No
1	Yes	1	Yes

5.3 LCD KEYBOARDS (Visograph 2.0)

V21820 - **ABC**00

A		B		C		
Buzzer	Probe	Mounting type		Color		
0	No	No	P	Panel	0	White
1	Yes	No	W	Wall	2	Black
2	No	Yes				
3	Yes	Yes				

6 PRICES

Please contact our sales department for prices and quotations.

7 AVAILABILITY and ORDERS

Models are available with standard delivery times.